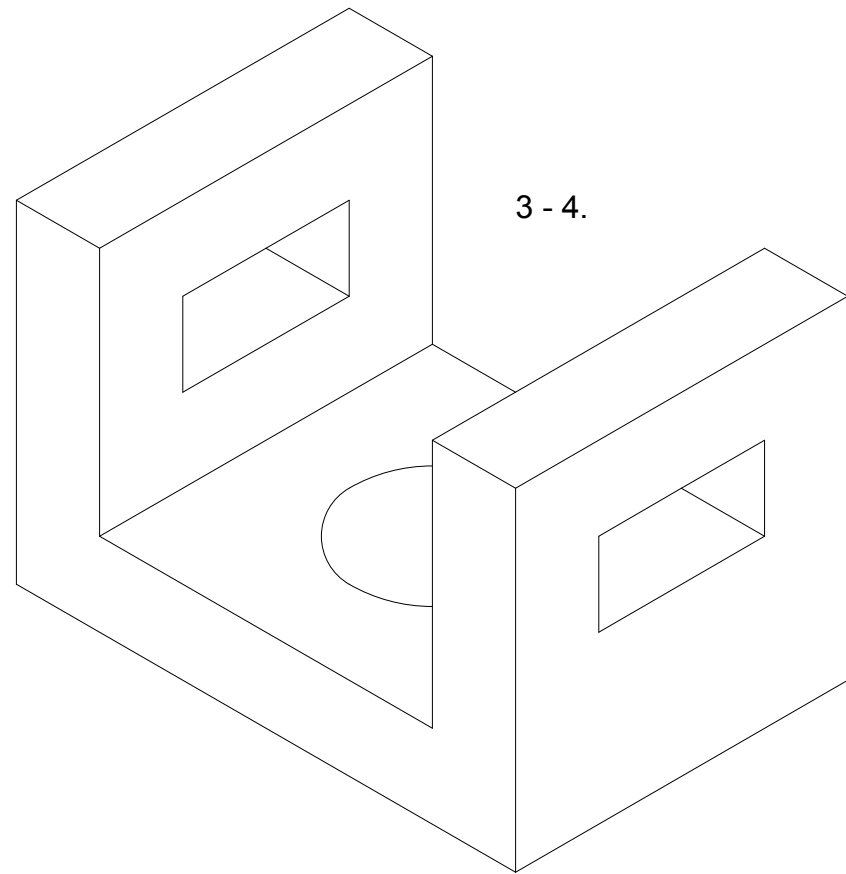


3 - 3.



3 - 4.



STEVENSON HIGH SCHOOL
TECHNOLOGY EDUCATION DEPARTMENT
TECHNICAL DRAWING PROGRAM

DRN BY: Jeremy Diamond

DATE:

SCALE:

1

1